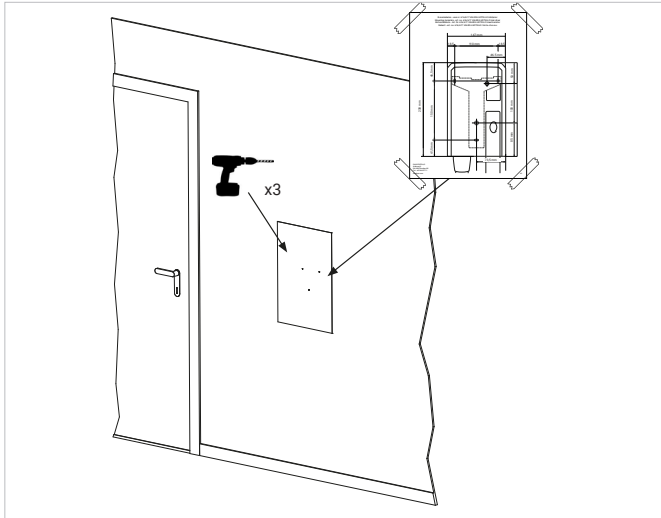


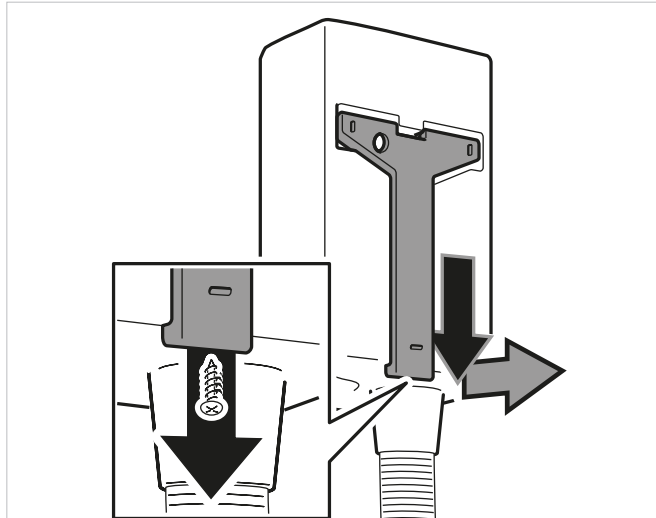
Installation guide

DAN DRYER HOTELLO Hårtørrer / Hair dryer / Haartrockner / Sèche-cheveux

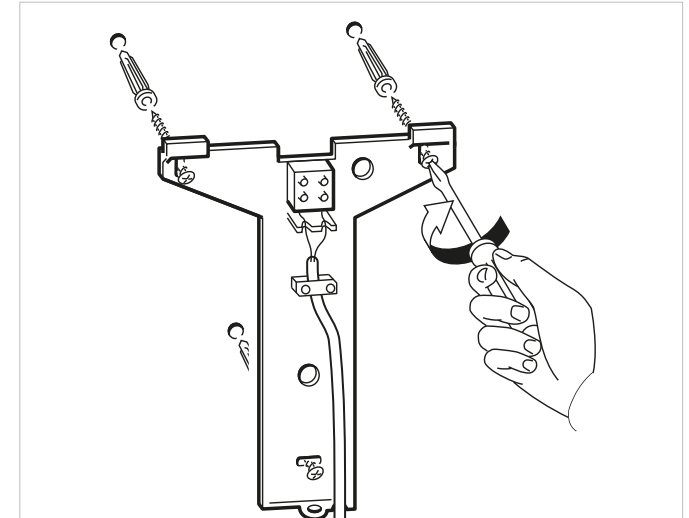
1. Place the drilling template where the hair dryer is to be mounted and drill the three specified holes with a Ø6 mm drill bit.



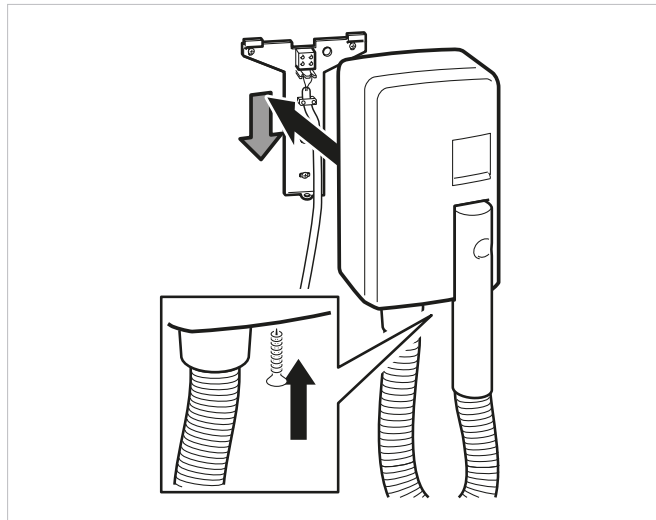
2. Remove the T-bracket by unscrewing the retaining screw and then pushing the T-bracket down.



3. Mount the T-bracket on the wall with the supplied screws.



4. Mount the hair dryer on the T-bracket and secure it with the retaining screw.



5. The hair dryer is now ready to use.

